

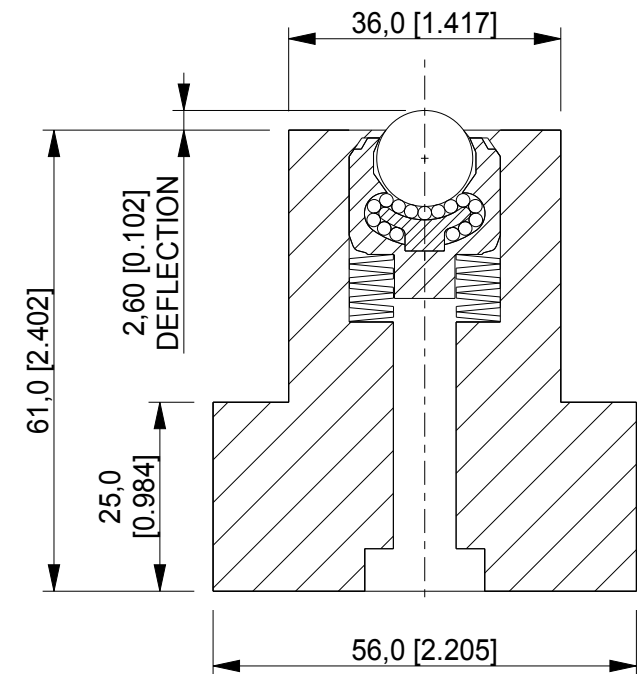
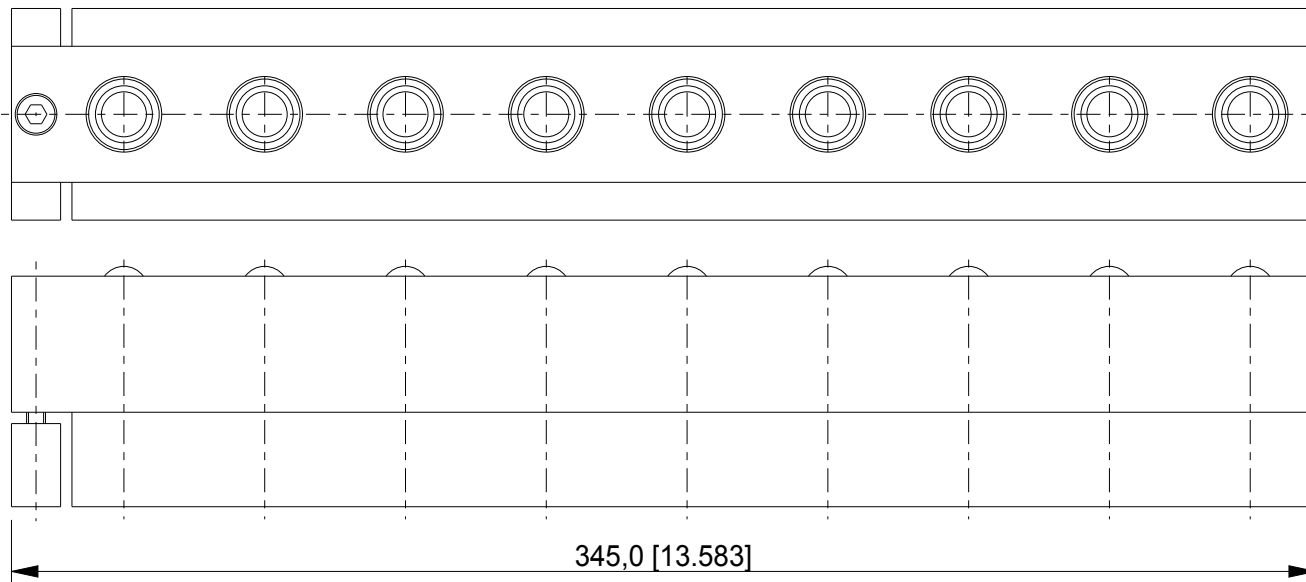


OMNI-DIRECTIONAL SOLUTIONS SINCE 1909

T36 OMNITRACK
HIGH CAPACITY SPRING LOADED
BALL TRANSFER BAR
 REVISION # 01

Available Material Options			
Part #	Load Bearing Internal Materials	Ball Material	Casing Material & Finish
T36	AISI 52100	AISI 52100	AISI 1012 ZINC/ELECTROPHORETIC (BLACK)

BAR SUPPORTS A LOAD OF 252 Kg / 554 Lbs
LOAD AT MAX DEFLECTION 396 Kg / 871 Lbs



OTHER SIZES AVAILABLE - CONTACT TECHNICAL SUPPORT
FOR CUSTOM MADE BALL TRANSFER BARS

SECTION THROUGH INTERNAL BALL UNIT
1 : 1

ALL DIMENSIONS IN mm [inch]
 IF VIEWED AS PDF, DO NOT SCALE
 IF VIEWED AS DWG, SCALE 1 : 2
 TOLERANCE ± 0,25
 QMF 31 ISSUE 01 : 22/06/2012

OMNITRACK
 RODBOROUGH COURT
 STROUD, GL5 3LR, ENGLAND

Telephone: +44 (0)1453 873 345
 Fax: +44 (0)1453 878 500
 info @ omnitrack.com
 www.omnitrack.com

THIS DOCUMENT CONTAINS OMNITRACK
 PROPERTY AND CONFIDENTIAL INFORMATION.
 IT IS LOANED FOR LIMITED PURPOSES ONLY
 AND REMAINS THE PROPERTY OF OMNITRACK.
 IT MAY NOT BE REPRODUCED IN WHOLE
 OR PART OR DISCLOSED TO THIRD PARTIES
 WITHOUT THE PRIOR WRITTEN CONSENT OF
 OMNITRACK. THE DOCUMENT IS TO BE
 RETURNED TO OMNITRACK UPON REQUEST
 AND IN ALL EVENTS UPON COMPLETION OF THE
 USE FOR WHICH IT WAS LOANED