



OMNI-DIRECTIONAL SOLUTIONS SINCE 1909

**9230 OMNITRACK  
HIGH CAPACITY  
BALL TRANSFER UNIT**  
REVISION # 01

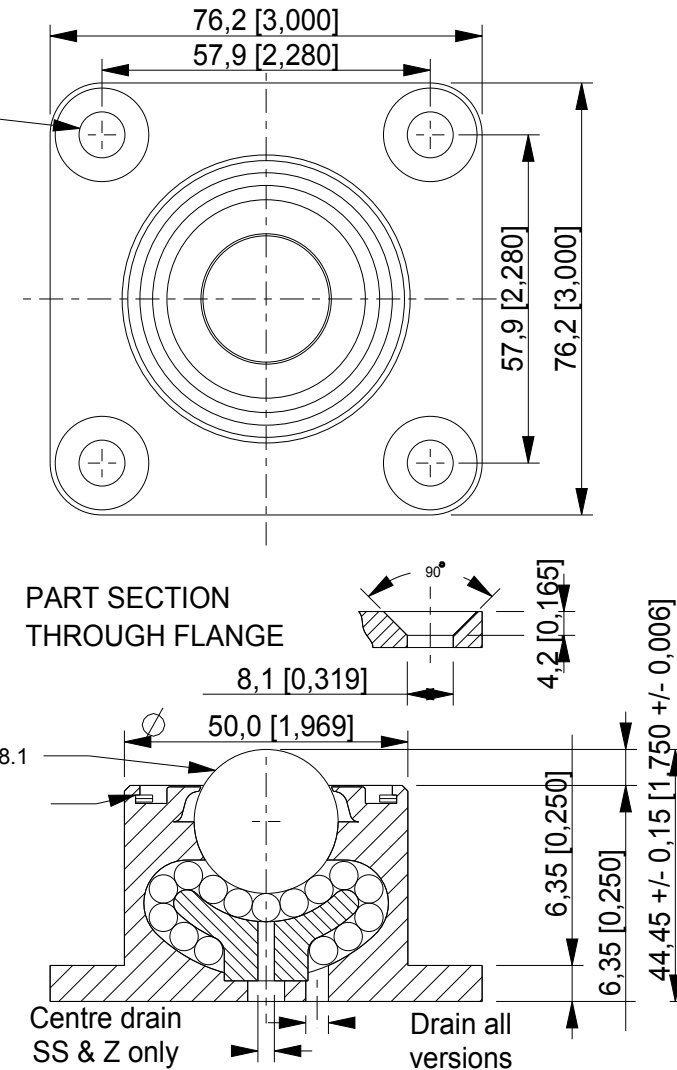
4 holes  $\varnothing$  8.1 thro  
c'bore 4.2 dp @ 90° inclusive

Available Material Options			
Part #	Load Bearing Internal Materials	Ball Material	Casing Material & Finish
9230	AISI 52100	AISI 52100	AISI 1012 ZINC/ELECTROPHORETIC (BLACK)
9230 A	AISI 52100	AISI 440	AISI 1012 ZINC/ELECTROPHORETIC (BLACK)
9230 Z	AISI 440	AISI 440	AISI 1012 ELECTROPHORETIC (BLACK)
9230 SS	AISI 440	AISI 440	AISI 304 - NATURAL
9230 PB	PHENOLIC RESIN MAIN BALL OPTION AVAILABLE FOR ALL MATERIAL OPTIONS - 30 Kg		

~ Operating temperature -20° C + 125° C (continuous)

Removable & reusable 'Spirolox'  
circlip allows cleaning/user servicing

**LOAD CAPACITY 375 Kg / 826 Lbs**



ALL DIMENSIONS IN mm [inch]  
IF VIEWED AS PDF, DO NOT SCALE  
IF VIEWED AS DWG, SCALE 3 : 4  
TOLERANCE  $\pm$  0,25  
QMF 31 ISSUE 01 : 22/06/2012

**OMNITRACK**  
RODBOROUGH COURT  
STROUD, GL5 3LR, ENGLAND

Telephone: +44 (0)1453 873 345  
Fax: +44 (0)1453 878 500  
**info @ omnitrack.com**  
**www.omnitrack.com**

THIS DOCUMENT CONTAINS OMNITRACK  
PROPERTY AND CONFIDENTIAL INFORMATION.  
IT IS LOANED FOR LIMITED PURPOSES ONLY  
AND REMAINS THE PROPERTY OF OMNITRACK.  
IT MAY NOT BE REPRODUCED IN WHOLE  
OR PART OR DISCLOSED TO THIRD PARTIES  
WITHOUT THE PRIOR WRITTEN CONSENT OF  
OMNITRACK. THE DOCUMENT IS TO BE  
RETURNED TO OMNITRACK UPON REQUEST  
AND IN ALL EVENTS UPON COMPLETION OF THE  
USE FOR WHICH IT WAS LOANED