



OMNI-DIRECTIONAL SOLUTIONS SINCE 1909

9240 OMNITRACK HIGH CAPACITY BALL TRANSFER UNIT

REVISION # 03

4 HOLES ϕ 8.1 [0.319]
C'SUNK ϕ 16 [0.630] @ 90° INCL

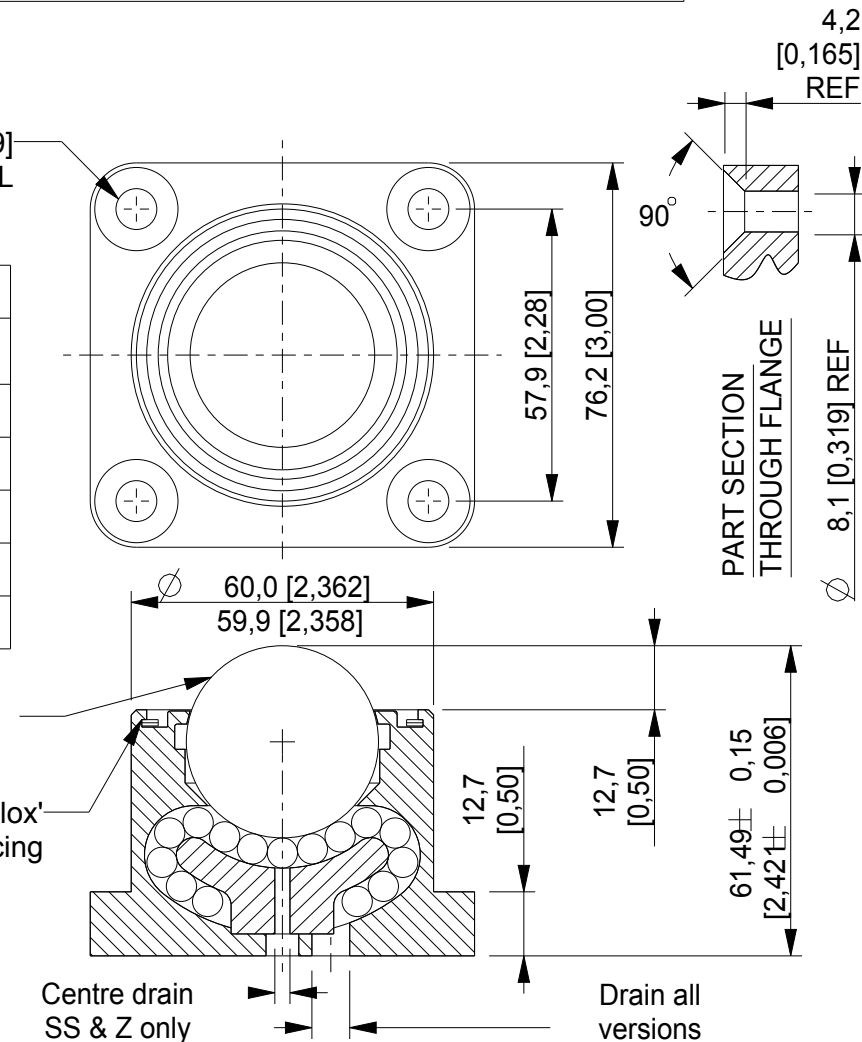
| Available Material Options | | | |
|----------------------------|--|---------------|---|
| Part # | Load Bearing Internal Materials | Ball Material | Casing Material & Finish |
| 9240 | AISI 52100 | AISI 52100 | AISI 1012 ZINC/ELECTROPHORETIC (BLACK) |
| 9240 A | AISI 52100 | AISI 440 | AISI 1012 ZINC/ELECTROPHORETIC (BLACK) |
| 9240 Z | AISI 440 | AISI 440 | AISI 1012 ELECTROPHORETIC (BLACK) |
| 9240 SS | AISI 440 | AISI 440 | AISI 304 - NATURAL |
| 9240 PB | PHENOLIC RESIN MAIN BALL OPTION AVAILABLE FOR ALL MATERIAL OPTIONS - 35 Kg | | |

~ Operating temperature -20° C + 125° C (continuous)

ϕ 38.1 [1,5]

Removable & reusable 'Spirolox'
circlip allows cleaning/user servicing

LOAD CAPACITY 1100 Kg / 2425 Lbs



Centre drain
SS & Z only

Drain all
versions

ALL DIMENSIONS IN mm [inch]
IF VIEWED AS PDF, DO NOT SCALE
IF VIEWED AS DWG, SCALE 1 : 1,5
TOLERANCE \pm 0,25
QMF 31 ISSUE 01 : 22/06/2012

OMNITRACK
RODBOROUGH COURT
STROUD, GL5 3LR, ENGLAND

Telephone: +44 (0)1453 873 345
Fax: +44 (0)1453 878 500
info@omnitrack.com
www.omnitrack.com

THIS DOCUMENT CONTAINS OMNITRACK
PROPERTY AND CONFIDENTIAL INFORMATION.
IT IS LOANED FOR LIMITED PURPOSES ONLY
AND REMAINS THE PROPERTY OF OMNITRACK.
IT MAY NOT BE REPRODUCED IN WHOLE
OR PART OR DISCLOSED TO THIRD PARTIES
WITHOUT THE PRIOR WRITTEN CONSENT OF
OMNITRACK. THE DOCUMENT IS TO BE
RETURNED TO OMNITRACK UPON REQUEST
AND IN ALL EVENTS UPON COMPLETION OF THE
USE FOR WHICH IT WAS LOANED