



OMNI-DIRECTIONAL SOLUTIONS SINCE 1909

**9443 OMNITRACK  
HIGH CAPACITY  
BALL TRANSFER UNIT**  
REVISION # 01

REMOVABLE & REUSABLE 'SPIROLOX' CIRCLIP  
ALLOWS CLEANING/USER SERVICING

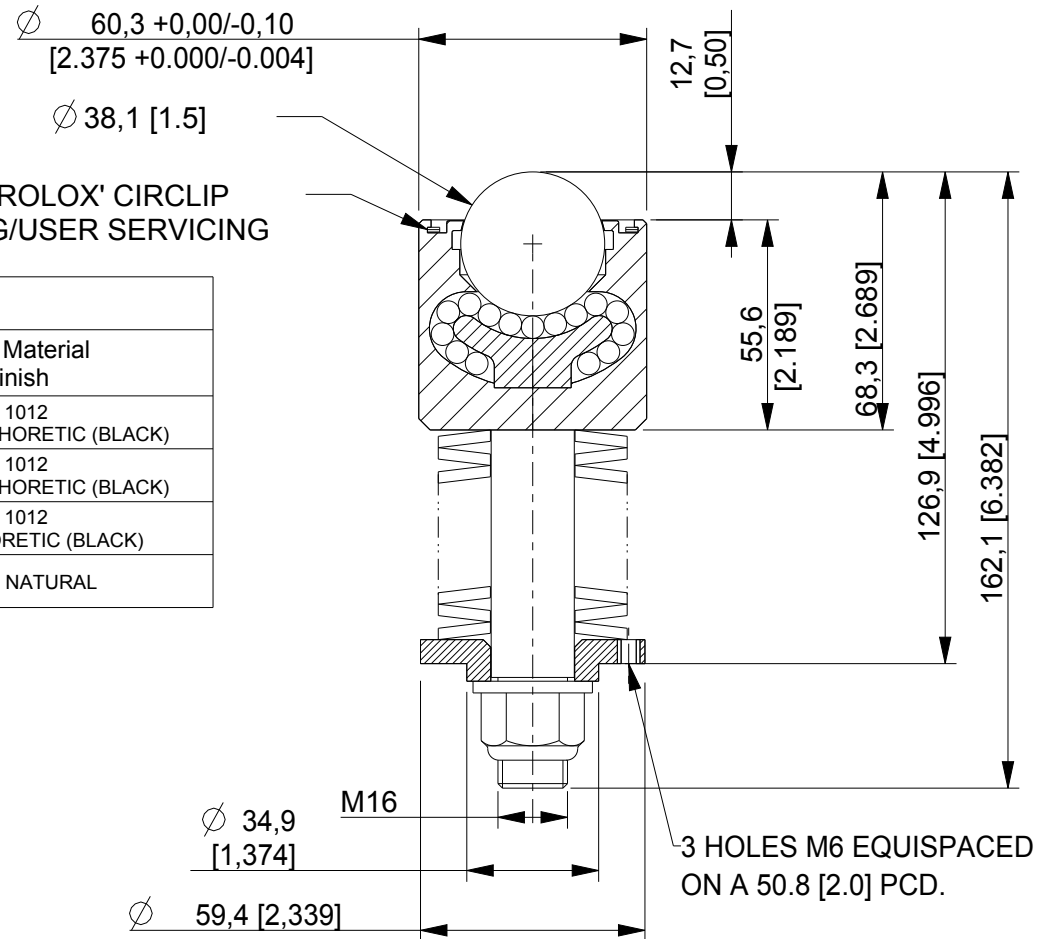
| Available Material Options |                                 |               |   |
|----------------------------|---------------------------------|---------------|---|
| Part #                     | Load Bearing Internal Materials | Ball Material | Casing Material & Finish                  |
| 9443                       | AISI 52100                      | AISI 52100    | AISI 1012<br>ZINC/ELECTROPHORETIC (BLACK) |
| 9443A                      | AISI 52100                      | AISI 440      | AISI 1012<br>ZINC/ELECTROPHORETIC (BLACK) |
| 9443Z                      | AISI 440                        | AISI 440      | AISI 1012<br>ELECTROPHORETIC (BLACK)      |
| 9443SS                     | AISI 440                        | AISI 440      | AISI 304 - NATURAL                        |

SPRING MATERIAL FOR ALL OPTIONS = LIGHTLY GREASED CARBON STEEL

~ Operating temperature -20° C + 125° C (continuous)

**NOTES:**

1. SUPPORTS A LOAD OF 567 Kg / 1250 Lbs
2. MAXIMUM RECOMMENDED DEFLECTION 8.8mm [0.346"]
3. 960 Kg / 2113 Lbs LOAD AT MAXIMUM DEFLECTION



ALL DIMENSIONS IN mm [inch]  
IF VIEWED AS PDF, DO NOT SCALE  
IF VIEWED AS DWG, SCALE 1 : 2  
TOLERANCE  $\pm 0,25$   
QMF 31 ISSUE 01 : 22/06/2012

**OMNITRACK**  
RODBOROUGH COURT  
STROUD, GL5 3LR, ENGLAND

Telephone: +44 (0)1453 873 345  
Fax: +44 (0)1453 878 500  
info @ omnitrack.com  
www.omnitrack.com

THIS DOCUMENT CONTAINS OMNITRACK  
PROPERTY AND CONFIDENTIAL INFORMATION.  
IT IS LOANED FOR LIMITED PURPOSES ONLY  
AND REMAINS THE PROPERTY OF OMNITRACK.  
IT MAY NOT BE REPRODUCED IN WHOLE  
OR PART OR DISCLOSED TO THIRD PARTIES  
WITHOUT THE PRIOR WRITTEN CONSENT OF  
OMNITRACK. THE DOCUMENT IS TO BE  
RETURNED TO OMNITRACK UPON REQUEST  
AND IN ALL EVENTS UPON COMPLETION OF THE  
USE FOR WHICH IT WAS LOANED