



OMNI-DIRECTIONAL SOLUTIONS SINCE 1909

9520 OMNITRACK  
HIGH CAPACITY  
BALL TRANSFER UNIT  
REVISION # 01

∅ 25.4 [1.0]

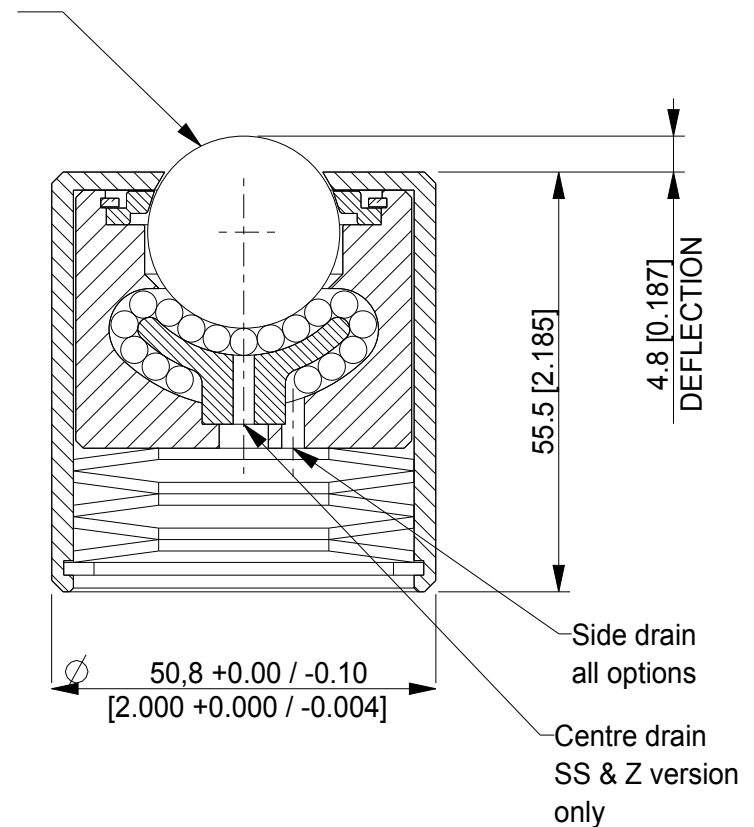
| Available Material Options |                                 |               |   |
|----------------------------|---------------------------------|---------------|---|
| Part #                     | Load Bearing Internal Materials | Ball Material | Casing Material & Finish                  |
| 9520                       | AISI 52100                      | AISI 52100    | AISI 1012<br>ZINC/ELECTROPHORETIC (BLACK) |
| 9520A                      | AISI 52100                      | AISI 440      | AISI 1012<br>ZINC/ELECTROPHORETIC (BLACK) |
| 9520Z                      | AISI 440                        | AISI 440      | AISI 1012<br>ELECTROPHORETIC (BLACK)      |
| 9520SS                     | AISI 440                        | AISI 440      | AISI 304 - NATURAL                        |

SPRING MATERIAL FOR ALL OPTIONS = LIGHTLY GREASED CARBON STEEL

~ Operating temperature -20° C + 125° C (continuous)

**NOTES:**

1. SUPPORTS A LOAD OF 91 Kg / 200 Lbs
2. 188 Kg / 414 Lbs LOAD AT MAX DEFLECTION



ALL DIMENSIONS IN mm [inch]  
IF VIEWED AS PDF, DO NOT SCALE  
IF VIEWED AS DWG, SCALE 1 : 1  
TOLERANCE ± 0,25  
QMF 31 ISSUE 01 : 22/06/2012

**OMNITRACK**  
RODBOROUGH COURT  
STROUD, GL5 3LR, ENGLAND

Telephone: +44 (0)1453 873 345  
Fax: +44 (0)1453 878 500  
info @ omnitrack.com  
www.omnitrack.com

THIS DOCUMENT CONTAINS OMNITRACK PROPERTY AND CONFIDENTIAL INFORMATION. IT IS LOANED FOR LIMITED PURPOSES ONLY AND REMAINS THE PROPERTY OF OMNITRACK. IT MAY NOT BE REPRODUCED IN WHOLE OR PART OR DISCLOSED TO THIRD PARTIES WITHOUT THE PRIOR WRITTEN CONSENT OF OMNITRACK. THE DOCUMENT IS TO BE RETURNED TO OMNITRACK UPON REQUEST AND IN ALL EVENTS UPON COMPLETION OF THE USE FOR WHICH IT WAS LOANED