



OMNI-DIRECTIONAL SOLUTIONS SINCE 1909

**9630 OMNITRACK
HIGH CAPACITY
BALL TRANSFER UNIT**
REVISION # 01

Available Material Options

Part #	Load Bearing Internal Materials	Ball Material	Casing Material & Finish
9630	AISI 52100	AISI 52100	AISI 1012 ZINC/ELECTROPHORETIC (BLACK)
9630A	AISI 52100	AISI 440	AISI 1012 ZINC/ELECTROPHORETIC (BLACK)
9630Z	AISI 440	AISI 440	AISI 1012 ELECTROPHORETIC (BLACK)
9630SS	AISI 440	AISI 440	AISI 304 - NATURAL

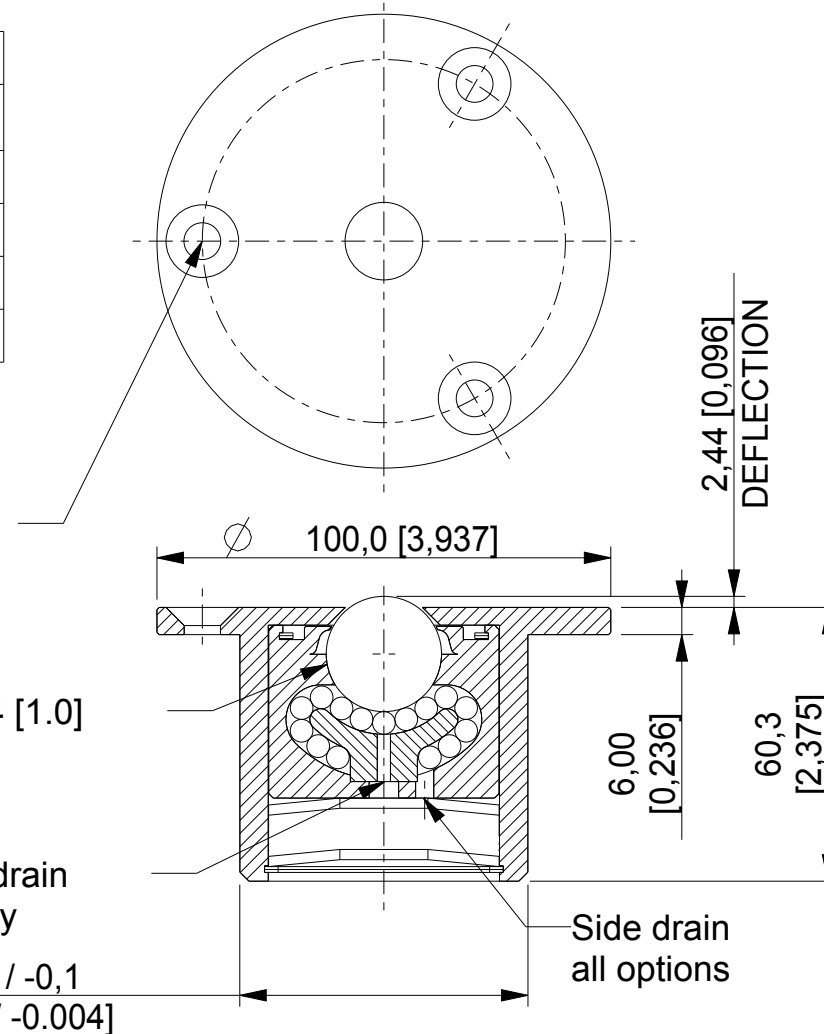
SPRING MATERIAL FOR ALL OPTIONS = LIGHTLY GREASED CARBON STEEL

~ Operating temperature -20° C + 125° C (continuous)

3 HOLES ϕ 8,1 [0.318] C'SUNK ϕ 16,0 [0.630]
90° INCL ON A 80 [3.150] PCD

NOTES:

1. SUPPORTS A LOAD OF 227 Kg / 500 Lbs
2. 367 Kg / 807 Lbs LOAD AT MAX DEFLECTION



ALL DIMENSIONS IN mm [inch]
IF VIEWED AS PDF, DO NOT SCALE
IF VIEWED AS DWG, SCALE 1 : 0,6
TOLERANCE \pm 0,25
QMF 31 ISSUE 01 : 22/06/2012

OMNITRACK
RODBOROUGH COURT
STROUD, GL5 3LR, ENGLAND

Telephone: +44 (0)1453 873 345
Fax: +44 (0)1453 878 500
info @ omnitrack.com
www.omnitrack.com

THIS DOCUMENT CONTAINS OMNITRACK PROPERTY AND CONFIDENTIAL INFORMATION. IT IS LOANED FOR LIMITED PURPOSES ONLY AND REMAINS THE PROPERTY OF OMNITRACK. IT MAY NOT BE REPRODUCED IN WHOLE OR PART OR DISCLOSED TO THIRD PARTIES WITHOUT THE PRIOR WRITTEN CONSENT OF OMNITRACK. THE DOCUMENT IS TO BE RETURNED TO OMNITRACK UPON REQUEST AND IN ALL EVENTS UPON COMPLETION OF THE USE FOR WHICH IT WAS LOANED