



OMNI-DIRECTIONAL SOLUTIONS SINCE 1909

**9640 OMNITRACK
HIGH CAPACITY
BALL TRANSFER UNIT**
REVISION # 01

3 HOLES \varnothing 10.1 C'SUNK \varnothing 20.0
x 90° INCLUSIVE ON A 92 PCD

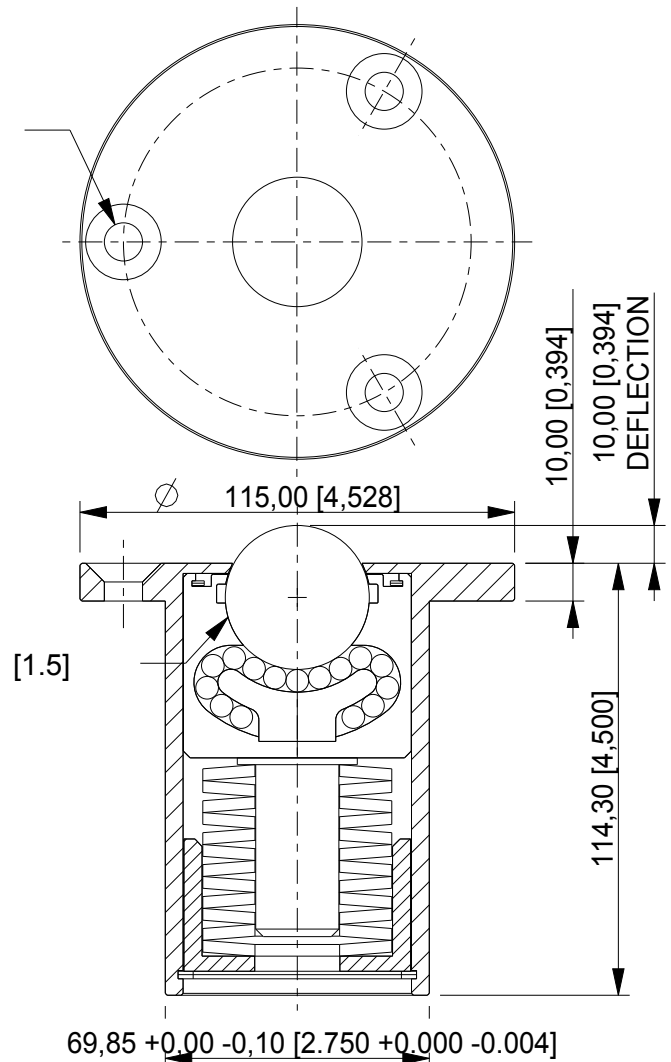
Available Material Options

Part #	Load Bearing Internal Materials	Ball Material	Casing Material & Finish
9640	AISI 52100	AISI 52100	AISI 1012 ZINC/ELECTROPHORETIC (BLACK)
9640 A	AISI 52100	AISI 440	AISI 1012 ZINC/ELECTROPHORETIC (BLACK)
9640 Z	AISI 440	AISI 440	AISI 1012 ELECTROPHORETIC (BLACK)
9640 SS	AISI 440	AISI 440	AISI 304 - NATURAL

~ Operating temperature -20° C + 125° C (continuous)

NOTES:

1. SUPPORTS A LOAD OF 450 Kg / 1000 Lbs
2. 960kg LOAD AT MAX DEFLECTION.



ALL DIMENSIONS IN mm [inch]
IF VIEWED AS PDF, DO NOT SCALE
IF VIEWED AS DWG, SCALE 1 : 2
TOLERANCE \pm 0,25
QMF 31 ISSUE 01 : 22/06/2012

OMNITRACK
RODBOROUGH COURT
STROUD, GL5 3LR, ENGLAND

Telephone: +44 (0)1453 873 345
Fax: +44 (0)1453 878 500
info @ omnitrack.com
www.omnitrack.com

THIS DOCUMENT CONTAINS OMNITRACK PROPERTY AND CONFIDENTIAL INFORMATION. IT IS LOANED FOR LIMITED PURPOSES ONLY AND REMAINS THE PROPERTY OF OMNITRACK. IT MAY NOT BE REPRODUCED IN WHOLE OR PART OR DISCLOSED TO THIRD PARTIES WITHOUT THE PRIOR WRITTEN CONSENT OF OMNITRACK. THE DOCUMENT IS TO BE RETURNED TO OMNITRACK UPON REQUEST AND IN ALL EVENTS UPON COMPLETION OF THE USE FOR WHICH IT WAS LOANED