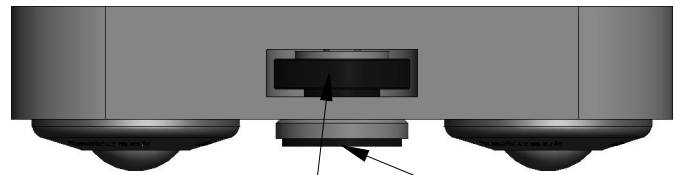
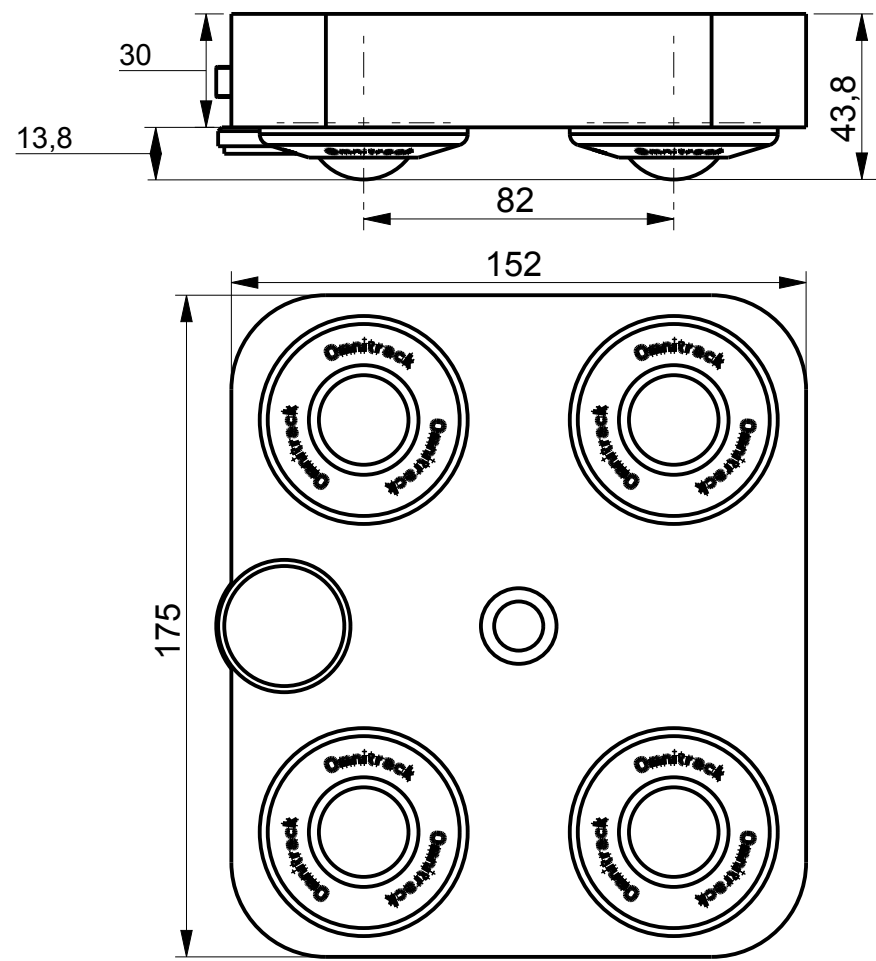
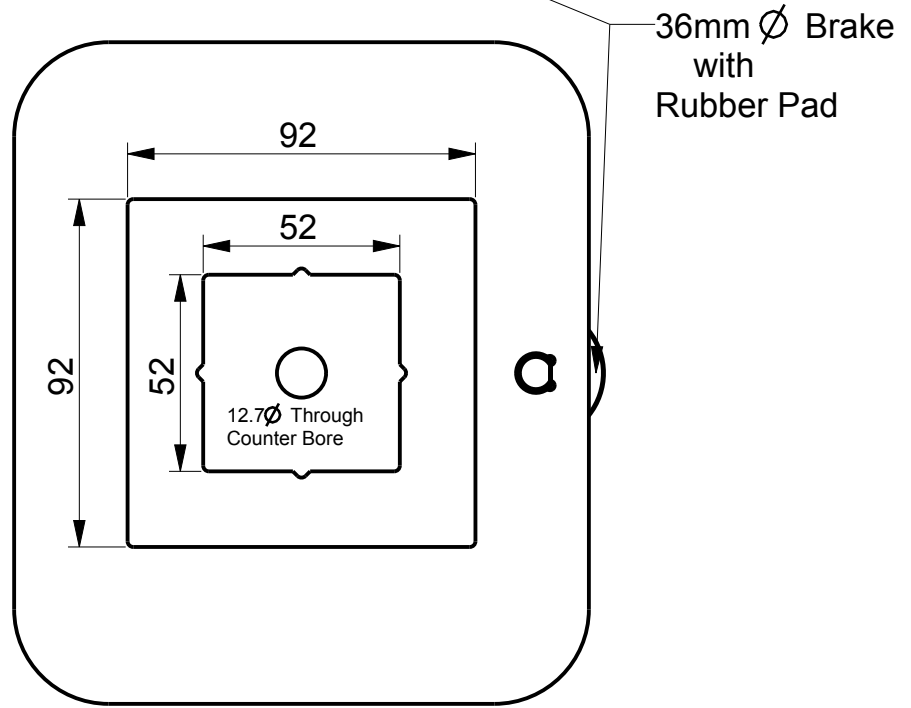


# BB30/4 OMNITRACK BALL SKATE

Load Capacity - 1000kg / 2240 Lbs



Adjustable Brake Screw



**REVISION # 01**  
 ALL DIMENSIONS IN mm [inch]  
 IF VIEWED AS PDF, DO NOT SCALE  
 IF VIEWED AS DWG, SCALE x : x  
 TOLERANCE  $\pm 0,25$  [0.01]  
 QMF 31 ISSUE 02 : 09/01/2017

**OMNITRACK**  
 RODBOROUGH COURT  
 STROUD, GL5 3LR, ENGLAND

Telephone: +44 (0)1453 873 345  
 Fax: +44 (0)1453 878 500  
 info @ omnitrack.com  
 www.omnitrack.com

THIS DOCUMENT CONTAINS OMNITRACK PROPERTY AND CONFIDENTIAL INFORMATION. IT IS LOANED FOR LIMITED PURPOSES ONLY AND REMAINS THE PROPERTY OF OMNITRACK. IT MAY NOT BE REPRODUCED IN WHOLE OR PART OR DISCLOSED TO THIRD PARTIES WITHOUT THE PRIOR WRITTEN CONSENT OF OMNITRACK. THE DOCUMENT IS TO BE RETURNED TO OMNITRACK UPON REQUEST AND IN ALL EVENTS UPON COMPLETION OF THE USE FOR WHICH IT WAS LOANED.