

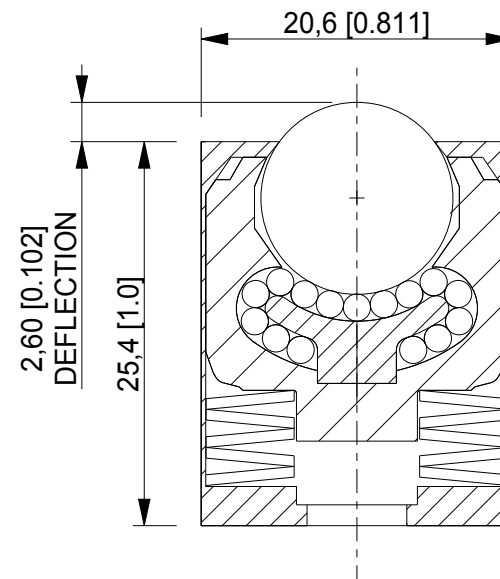
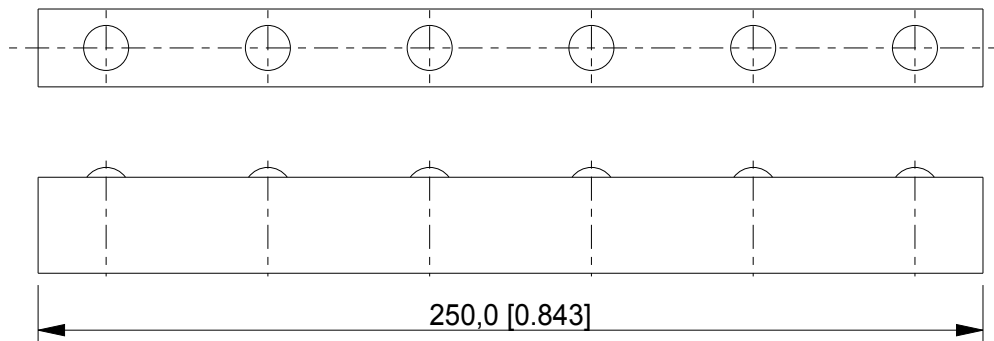


OMNI-DIRECTIONAL SOLUTIONS SINCE 1909

**B21 OMNITRACK  
HIGH CAPACITY SPRING LOADED  
BALL TRANSFER BAR**  
REVISION # 01

Available Material Options			
Part #	Load Bearing Internal Materials	Ball Material	Casing Material & Finish
B21	AISI 52100	AISI 52100	AISI 1012 ZINC/ELECTROPHORETIC (BLACK)

BAR SUPPORTS A LOAD OF 168 Kg / 370 Lbs  
LOAD AT MAX DEFLECTION 264 Kg / 581 Lbs



SECTION THROUGH INTERNAL BALL UNIT  
SCALE 2:1

OTHER SIZES AVAILABLE - CONTACT TECHNICAL SUPPORT  
FOR CUSTOM MADE BALL TRANSFER BARS

<p>ALL DIMENSIONS IN mm [inch] IF VIEWED AS PDF, DO NOT SCALE IF VIEWED AS DWG, SCALE 1 : 2 TOLERANCE ± 0,25 QMF 31 ISSUE 01 : 22/06/2012</p>	<p><b>OMNITRACK</b> RODBOROUGH COURT STROUD, GL5 3LR, ENGLAND</p>	<p>Telephone: +44 (0)1453 873 345 Fax: +44 (0)1453 878 500 <b>info @ omnitrack.com</b> <b>www.omnitrack.com</b></p>	<p>THIS DOCUMENT CONTAINS OMNITRACK PROPERTY AND CONFIDENTIAL INFORMATION. IT IS LOANED FOR LIMITED PURPOSES ONLY AND REMAINS THE PROPERTY OF OMNITRACK. IT MAY NOT BE REPRODUCED IN WHOLE OR PART OR DISCLOSED TO THIRD PARTIES WITHOUT THE PRIOR WRITTEN CONSENT OF OMNITRACK. THE DOCUMENT IS TO BE RETURNED TO OMNITRACK UPON REQUEST AND IN ALL EVENTS UPON COMPLETION OF THE USE FOR WHICH IT WAS LOANED</p>
---	---	---	--