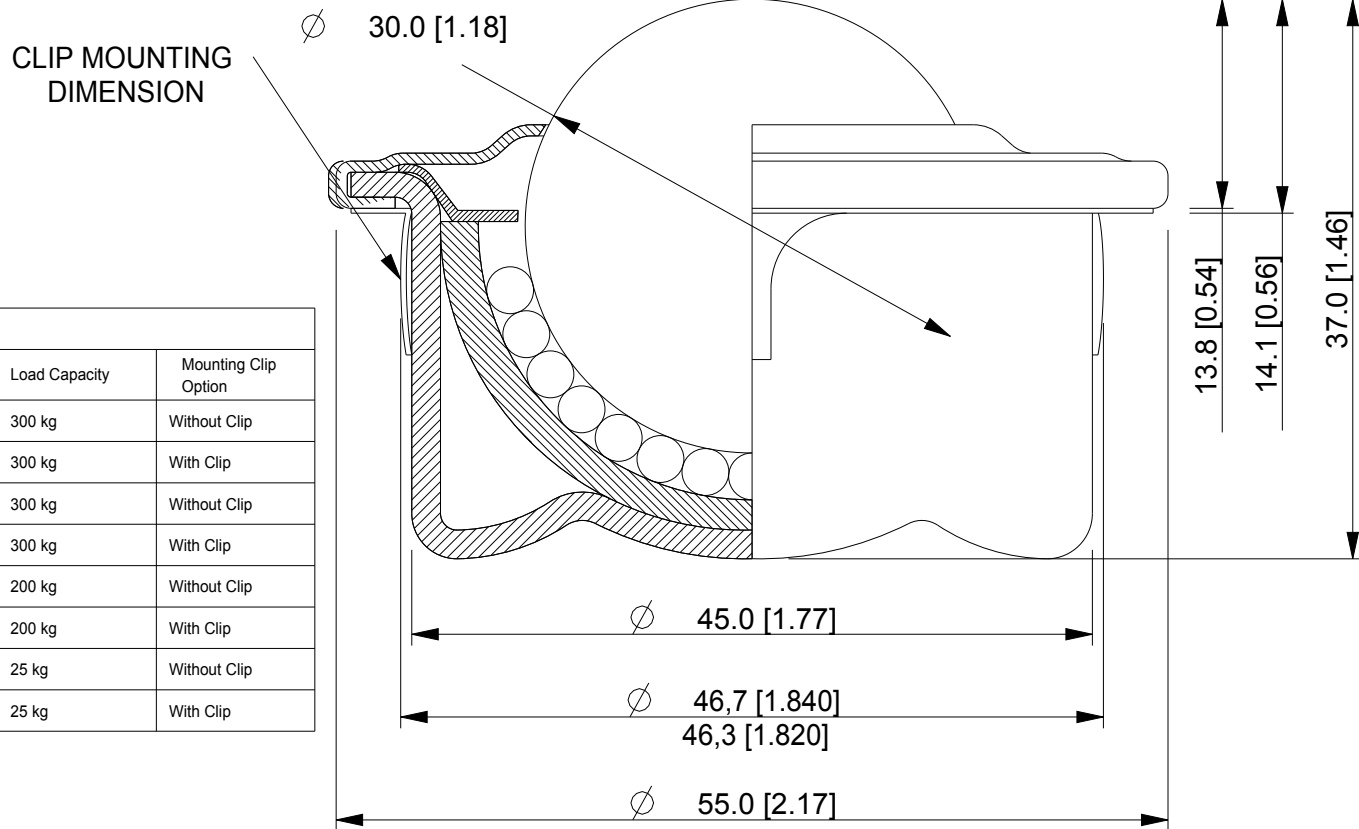




OMNI-DIRECTIONAL SOLUTIONS

# L30 OMNITRACK LIGHT DUTY BALL TRANSFER UNIT

REVISION # 01



Available Material Options

Part #	Load bearing internal materials	Main Ball Material	Casing material & finish	Load Capacity	Mounting Clip Option
L30	AISI 52100	AISI 52100	AISI 1015 -Zinc plated	300 kg	Without Clip
L30-C	AISI 52100	AISI 52100	AISI 1015 -Zinc plated	300 kg	With Clip
L30A	AISI 52100	AISI 420	AISI 1015 -Zinc plated	300 kg	Without Clip
L30A-C	AISI 52100	AISI 420	AISI 1015 -Zinc plated	300 kg	With Clip
L30SS	AISI 420	AISI 420	AISI 304 -Natural	200 kg	Without Clip
L30SS-C	AISI 420	AISI 420	AISI 304 -Natural	200 kg	With Clip
L30D	AISI 52100	Acetal (POM)	AISI 1015 -Zinc plated	25 kg	Without Clip
L30D-C	AISI 52100	Acetal (POM)	AISI 1015 -Zinc plated	25 kg	With Clip

ALL DIMENSIONS IN mm [ inch ]  
IF VIEWED AS PDF, DO NOT SCALE  
IF VIEWED AS DWG, SCALE 2 : 1  
TOLERANCE  $\pm 0,25$   
QMF 31 ISSUE 01 : 22/06/2012

**OMNITRACK LTD**  
RODBOROUGH COURT  
STROUD, GL5 3LR, ENGLAND

Telephone: +44 (0)1453 873 345  
Fax: +44 (0)1453 878 500  
info @ omnitrack.com  
www.omnitrack.com

THIS DOCUMENT CONTAINS OMNITRACK LTD PROPERTY AND CONFIDENTIAL INFORMATION. IT IS LOANED FOR LIMITED PURPOSES ONLY AND REMAINS THE PROPERTY OF OMNITRACK LTD. IT MAY NOT BE REPRODUCED IN WHOLE OR PART OR DISCLOSED TO THIRD PARTIES WITHOUT THE PRIOR WRITTEN CONSENT OF OMNITRACK LTD. THE DOCUMENT IS TO BE RETURNED TO OMNITRACK LTD UPON REQUEST AND IN ALL EVENTS UPON COMPLETION OF THE USE FOR WHICH IT WAS LOANED