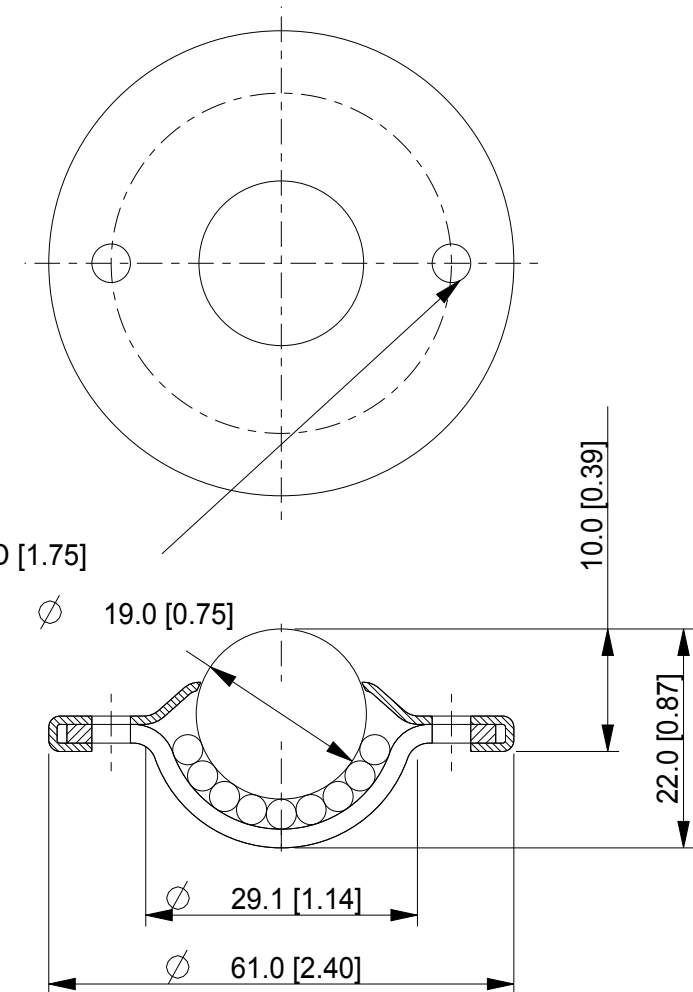


LD19 OMNITRACK LIGHT DUTY BALL TRANSFER UNIT

Part #	Available Material Options			Load Capacity
	Load Bearing Internal Materials	Main Ball Material	Casing Material & Finish	
LD19	AISI 52100	AISI 52100	AISI 1015 - Zinc Plated	25kg
LD19-A	AISI 52100	AISI 420	AISI 1015 - Zinc Plated	25kg
LD19-D	AISI 52100	Acetal (POM)	AISI 1015 - Zinc Plated	20kg
LD19-SS	AISI 420	AISI 420	AISI 304	25kg



2 HOLES \varnothing 5.1 ON A 44.5 PCD [1.75]

\varnothing 19.0 [0.75]

\varnothing 29.1 [1.14]

\varnothing 61.0 [2.40]

10.0 [0.39]

22.0 [0.87]

REVISION # 01

ALL DIMENSIONS IN mm [inch]
IF VIEWED AS PDF, DO NOT SCALE
IF VIEWED AS DWG, SCALE 5 : 2
TOLERANCE \pm 0.25 [0.01]
QMF 31 ISSUE 02 : 09/01/2017

OMNITRACK LTD
RODBOROUGH COURT
STROUD, GL5 3LR, ENGLAND

Telephone: +44 (0)1453 873 345
Fax: +44 (0)1453 878 500
info @ omnitrack.com
www.omnitrack.com

THIS DOCUMENT CONTAINS OMNITRACK LTD PROPERTY AND CONFIDENTIAL INFORMATION. IT IS LOANED FOR LIMITED PURPOSES ONLY AND REMAINS THE PROPERTY OF OMNITRACK LTD. IT MAY NOT BE REPRODUCED IN WHOLE OR PART OR DISCLOSED TO THIRD PARTIES WITHOUT THE PRIOR WRITTEN CONSENT OF OMNITRACK LTD. THE DOCUMENT IS TO BE RETURNED TO OMNITRACK LTD UPON REQUEST AND IN ALL EVENTS UPON COMPLETION OF THE USE FOR WHICH IT WAS LOANED

