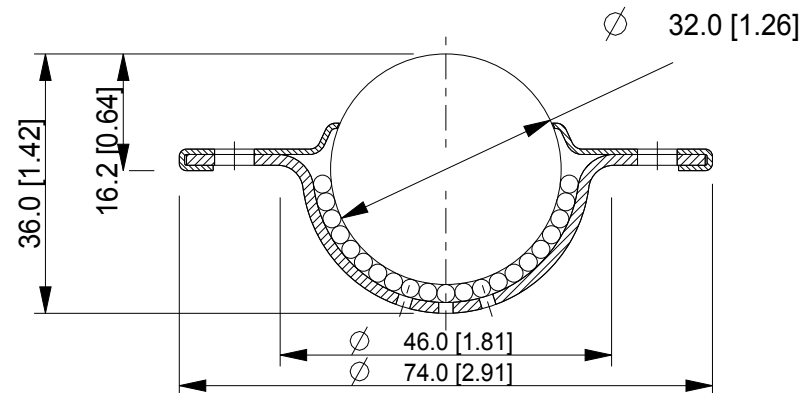




OMNI-DIRECTIONAL SOLUTIONS

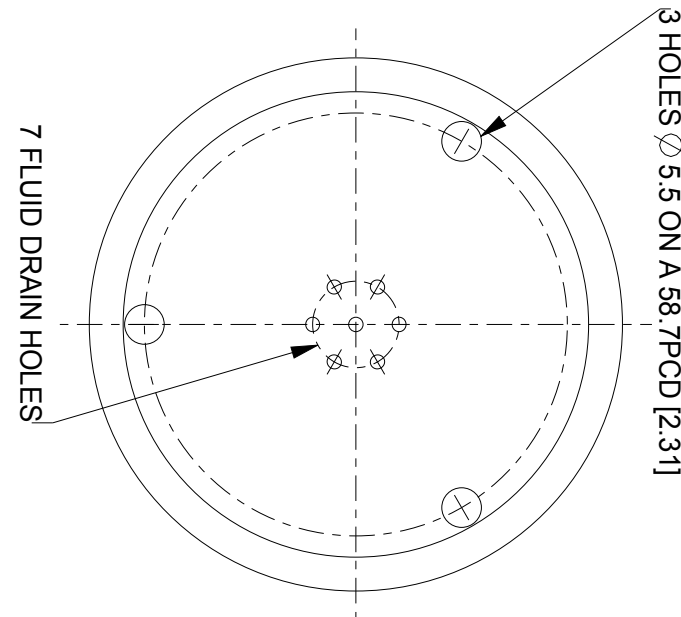
LD32-3SS OMNITRACK  
LIGHT DUTY  
BALL TRANSFER UNIT

REVISION # 01



Available Material Options

Part #	Load bearing internal materials	Main Ball Material	Casing material & finish	Load Capacity
LD32/3-SS	AISI 420	AISI 420	AISI 420 - Natural	125 kg



ALL DIMENSIONS IN mm [inch]  
IF VIEWED AS PDF, DO NOT SCALE  
IF VIEWED AS DWG, SCALE 1 : 1  
TOLERANCE  $\pm$  0.25  
QMF 31 ISSUE 01 : 22/06/2012

**OMNITRACK LTD**  
RODBOROUGH COURT  
STROUD, GL5 3LR, ENGLAND

Telephone: +44 (0)1453 873 345  
Fax: +44 (0)1453 878 500  
info @ omnitrack.com  
www.omnitrack.com

THIS DOCUMENT CONTAINS OMNITRACK LTD  
PROPERTY AND CONFIDENTIAL INFORMATION.  
IT IS LOANED FOR LIMITED PURPOSES ONLY  
AND REMAINS THE PROPERTY OF OMNITRACK  
LTD. IT MAY NOT BE REPRODUCED IN WHOLE  
OR PART OR DISCLOSED TO THIRD PARTIES  
WITHOUT THE PRIOR WRITTEN CONSENT OF  
OMNITRACK LTD. THE DOCUMENT IS TO BE  
RETURNED TO OMNITRACK LTD UPON REQUEST  
AND IN ALL EVENTS UPON COMPLETION OF THE  
USE FOR WHICH IT WAS LOANED