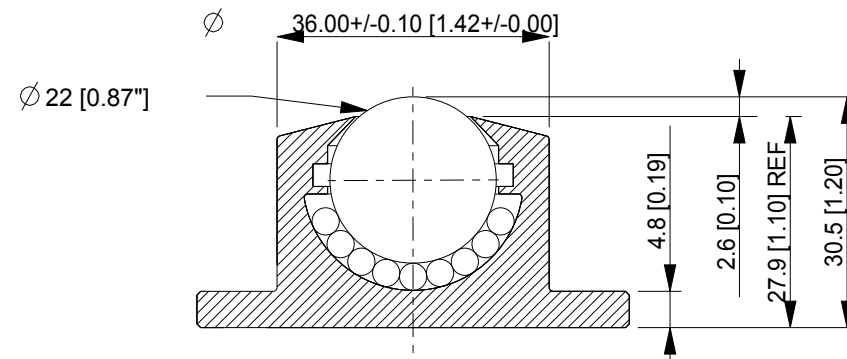
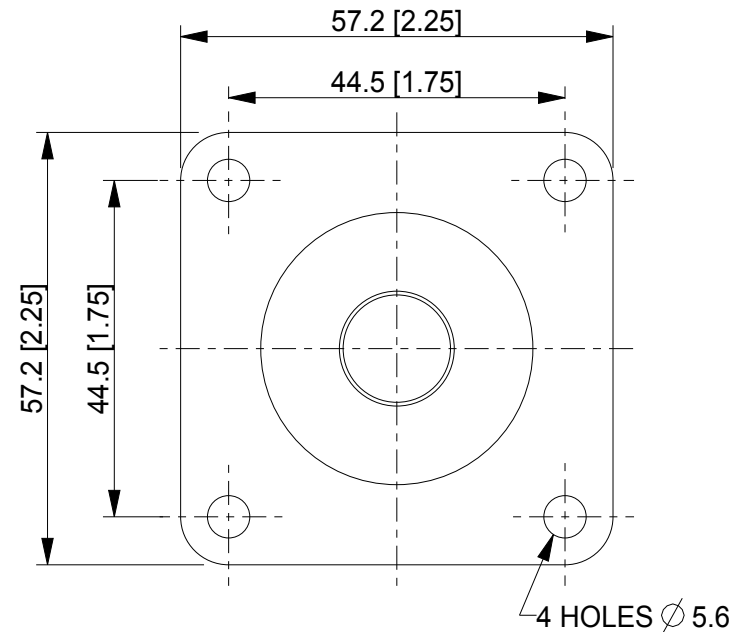




OMNI-DIRECTIONAL SOLUTIONS SINCE 1909

**MF22 OMNITRACK
MEDIUM DUTY
BALL TRANSFER UNIT**
REVISION # 02

| Available Material Options | | | | |
|----------------------------|---------------------------------|--------------------|--------------------------|---------------|
| Part # | Load bearing internal materials | Main Ball Material | Casing material & finish | Load Capacity |
| MF 22 | AISI 52100 | AISI 52100 | AISI 1015 -Zinc plated | 180 kg |
| MF 22-A | AISI 52100 | AISI 420 | AISI 1015 -Zinc plated | 126 kg |
| MF 22-SS | AISI 420 | AISI 420 | AISI 420 - Natural | 126 kg |
| MF 22-D | AISI 52100 | Acetal (POM) | AISI 1015 -Zinc plated | 18 kg |



ALL DIMENSIONS IN mm [inch]
IF VIEWED AS PDF, DO NOT SCALE
IF VIEWED AS DWG, SCALE 1 : 1
TOLERANCE $\pm 0,25$
QMF 31 ISSUE 01 : 22/06/2012

OMNITRACK
RODBOROUGH COURT
STROUD, GL5 3LR, ENGLAND

Telephone: +44 (0)1453 873 345
Fax: +44 (0)1453 878 500
[info @ omnitrack.com](mailto:info@omnitrack.com)
www.omnitrack.com

THIS DOCUMENT CONTAINS OMNITRACK PROPERTY AND CONFIDENTIAL INFORMATION. IT IS LOANED FOR LIMITED PURPOSES ONLY AND REMAINS THE PROPERTY OF OMNITRACK. IT MAY NOT BE REPRODUCED IN WHOLE OR PART OR DISCLOSED TO THIRD PARTIES WITHOUT THE PRIOR WRITTEN CONSENT OF OMNITRACK. THE DOCUMENT IS TO BE RETURNED TO OMNITRACK UPON REQUEST AND IN ALL EVENTS UPON COMPLETION OF THE USE FOR WHICH IT WAS LOANED