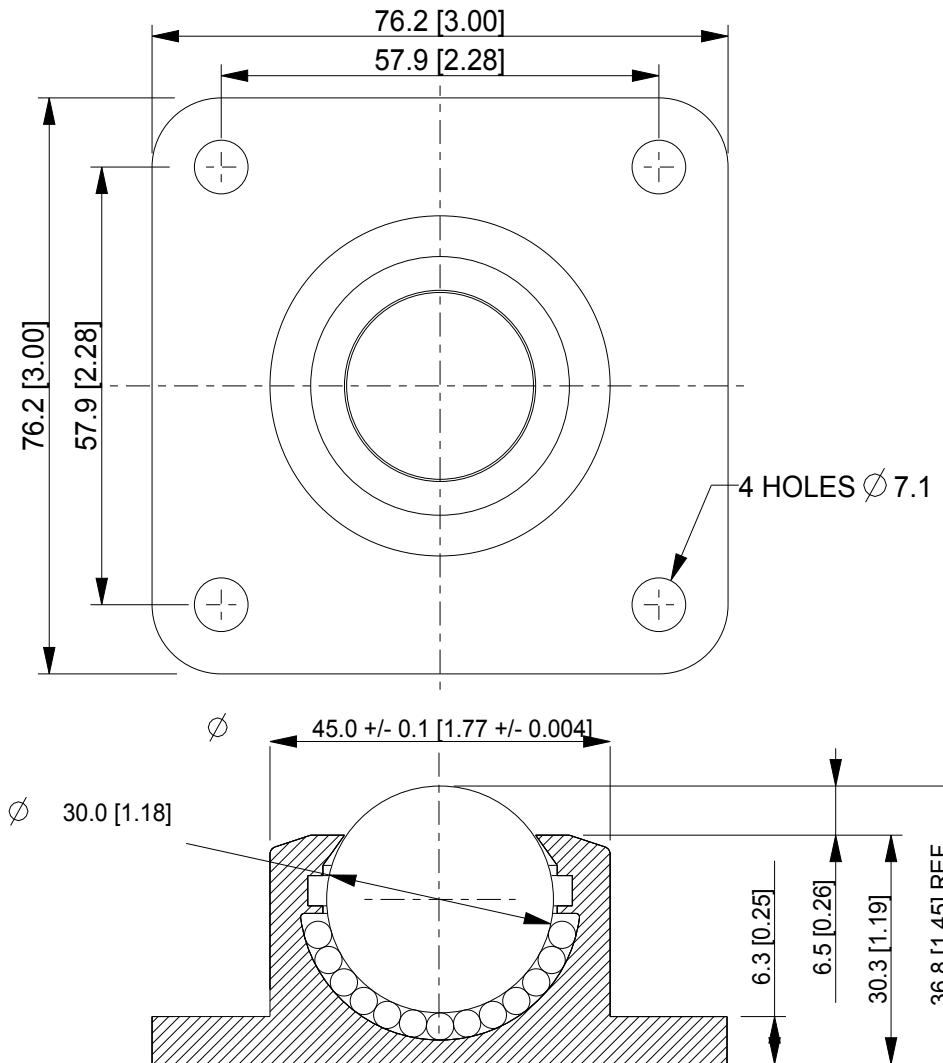




OMNI-DIRECTIONAL SOLUTIONS SINCE 1909

MF30 OMNITRACK MEDIUM DUTY BALL TRANSFER UNIT

REVISION # 02



Available Material Options

Part #	Load bearing internal materials	Main Ball Material	Casing material & finish	Load Capacity
MF 30	AISI 52100	AISI 52100	AISI 1015 -Zinc plated	350 kg
MF 30-A	AISI 52100	AISI 420	AISI 1015 -Zinc plated	245 kg
MF 30-SS	AISI 420	AISI 420	AISI 420 - Natural	245 kg
MF 30-D	AISI 52100	Acetal (POM)	AISI 1015 -Zinc plated	25 kg

ALL DIMENSIONS IN mm [inch]
IF VIEWED AS PDF, DO NOT SCALE
IF VIEWED AS DWG, SCALE 1 : 1
TOLERANCE $\pm 0,25$
QMF 31 ISSUE 01 : 22/06/2012

OMNITRACK
RODBOROUGH COURT
STROUD, GL5 3LR, ENGLAND

Telephone: +44 (0)1453 873 345
Fax: +44 (0)1453 878 500
[info @ omnitrack.com](mailto:info@omnitrack.com)
www.omnitrack.com

THIS DOCUMENT CONTAINS OMNITRACK PROPERTY AND CONFIDENTIAL INFORMATION. IT IS LOANED FOR LIMITED PURPOSES ONLY AND REMAINS THE PROPERTY OF OMNITRACK. IT MAY NOT BE REPRODUCED IN WHOLE OR PART OR DISCLOSED TO THIRD PARTIES WITHOUT THE PRIOR WRITTEN CONSENT OF OMNITRACK. THE DOCUMENT IS TO BE RETURNED TO OMNITRACK UPON REQUEST AND IN ALL EVENTS UPON COMPLETION OF THE USE FOR WHICH IT WAS LOANED