

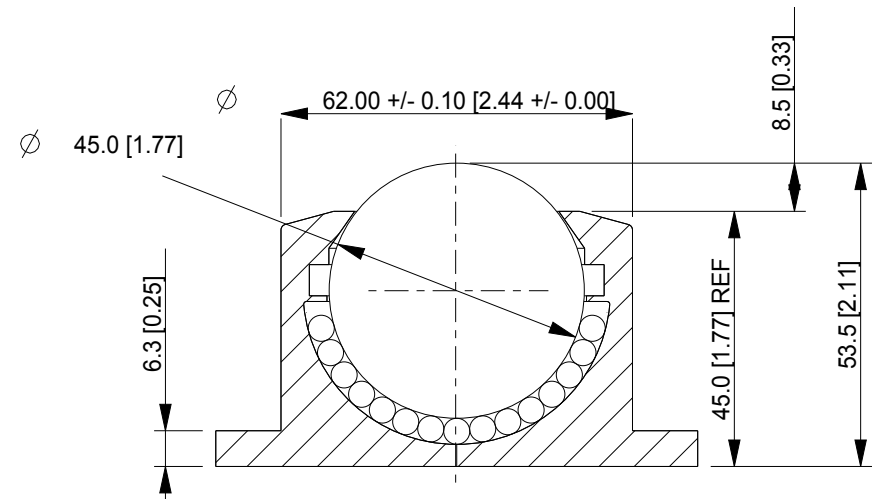
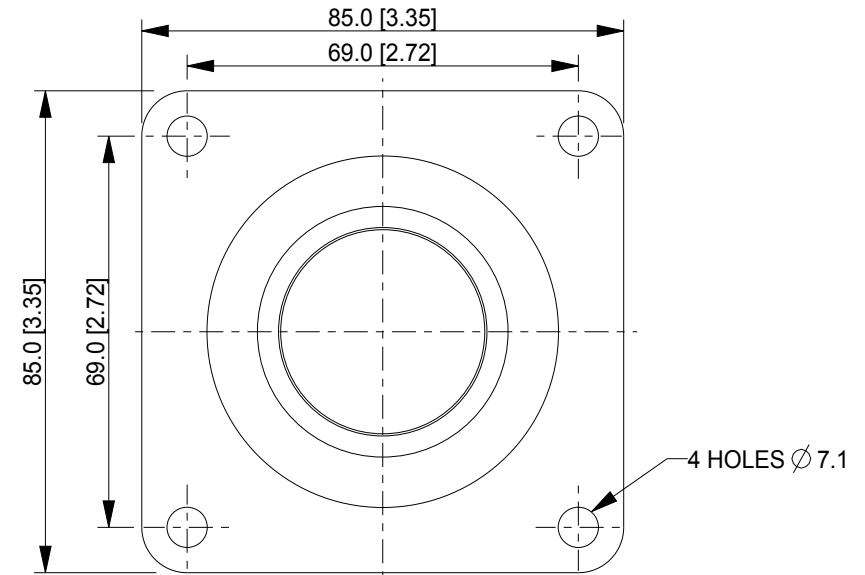


OMNI-DIRECTIONAL SOLUTIONS SINCE 1909

# MF45 OMNITRACK MEDIUM DUTY BALL TRANSFER UNIT

REVISION # 02

Available Material Options				
Part #	Load bearing internal materials	Main Ball Material	Casing material & finish	Load Capacity
MF 45	AISI 52100	AISI 52100	AISI 1015 -Zinc plated	600 kg
MF 45-A	AISI 52100	AISI 420	AISI 1015 -Zinc plated	420 kg
MF 45-SS	AISI 420	AISI 420	AISI 420 - Natural	420 kg



ALL DIMENSIONS IN mm [inch]  
IF VIEWED AS PDF, DO NOT SCALE  
IF VIEWED AS DWG, SCALE 0.75 : 1  
TOLERANCE  $\pm 0,25$   
QMF 31 ISSUE 01 : 22/06/2012

**OMNITRACK**  
RODBOROUGH COURT  
STROUD, GL5 3LR, ENGLAND

Telephone: +44 (0)1453 873 345  
Fax: +44 (0)1453 878 500  
[info @ omnitrack.com](mailto:info@omnitrack.com)  
[www.omnitrack.com](http://www.omnitrack.com)

THIS DOCUMENT CONTAINS OMNITRACK PROPERTY AND CONFIDENTIAL INFORMATION. IT IS LOANED FOR LIMITED PURPOSES ONLY AND REMAINS THE PROPERTY OF OMNITRACK. IT MAY NOT BE REPRODUCED IN WHOLE OR PART OR DISCLOSED TO THIRD PARTIES WITHOUT THE PRIOR WRITTEN CONSENT OF OMNITRACK. THE DOCUMENT IS TO BE RETURNED TO OMNITRACK UPON REQUEST AND IN ALL EVENTS UPON COMPLETION OF THE USE FOR WHICH IT WAS LOANED