

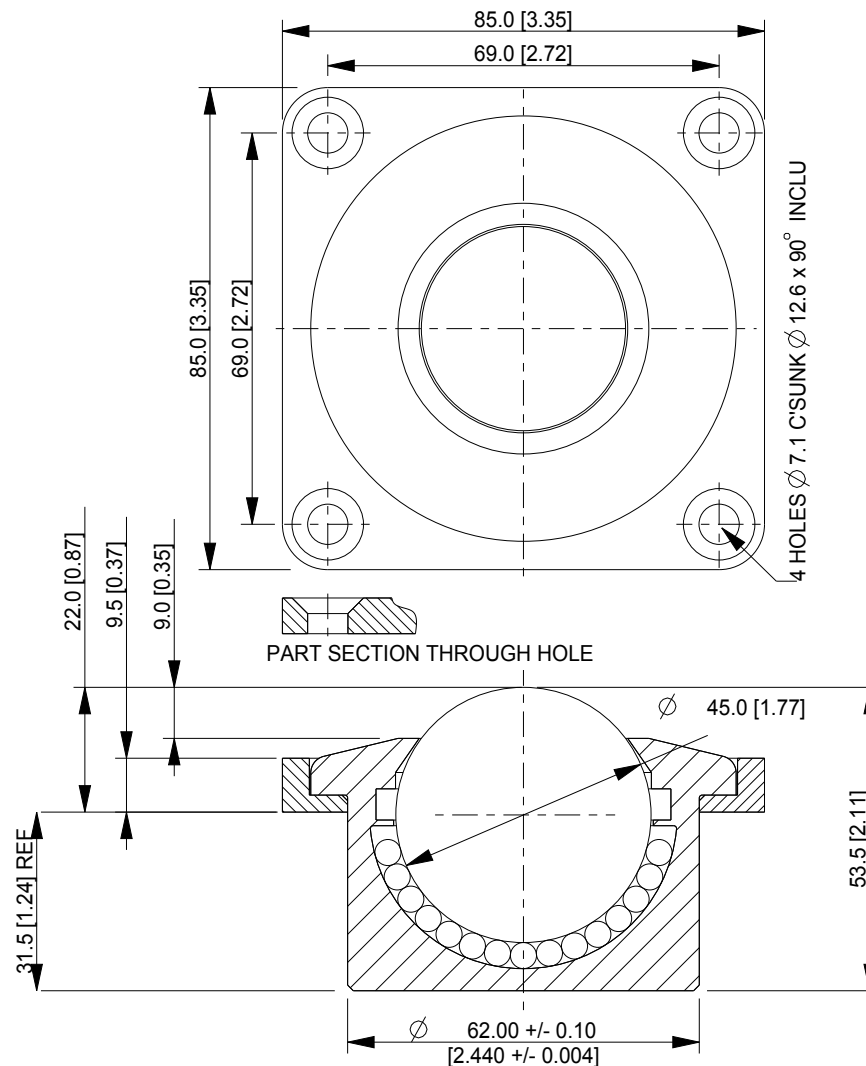


OMNI-DIRECTIONAL SOLUTIONS

MS45 OMNITRACK MEDIUM DUTY BALL TRANSFER UNIT

REVISION # 01

| Available Material Options | | | | |
|----------------------------|---------------------------------|--------------------|--------------------------|---------------|
| Part # | Load bearing internal materials | Main Ball Material | Casing material & finish | Load Capacity |
| MS 45 | AISI 52100 | AISI 52100 | AISI 1015 -Zinc plated | 600 kg |
| MS 45-A | AISI 52100 | AISI 420 | AISI 1015 -Zinc plated | 420 kg |
| MS 45-SS | AISI 420 | AISI 420 | AISI 420 - Natural | 420 kg |



ALL DIMENSIONS IN mm [inch]
IF VIEWED AS PDF, DO NOT SCALE
IF VIEWED AS DWG, SCALE 3 : 4
TOLERANCE ± 0.25
QMF 31 ISSUE 01 : 22/06/2012

OMNITRACK LTD
RODBOROUGH COURT
STROUD, GL5 3LR, ENGLAND

Telephone: +44 (0)1453 873 345
Fax: +44 (0)1453 878 500
info @ omnitrack.com
www.omnitrack.com

THIS DOCUMENT CONTAINS OMNITRACK LTD
PROPERTY AND CONFIDENTIAL INFORMATION.
IT IS LOANED FOR LIMITED PURPOSES ONLY
AND REMAINS THE PROPERTY OF OMNITRACK
LTD. IT MAY NOT BE REPRODUCED IN WHOLE
OR PART OR DISCLOSED TO THIRD PARTIES
WITHOUT THE PRIOR WRITTEN CONSENT OF
OMNITRACK LTD. THE DOCUMENT IS TO BE
RETURNED TO OMNITRACK LTD UPON REQUEST
AND IN ALL EVENTS UPON COMPLETION OF THE
USE FOR WHICH IT WAS LOANED