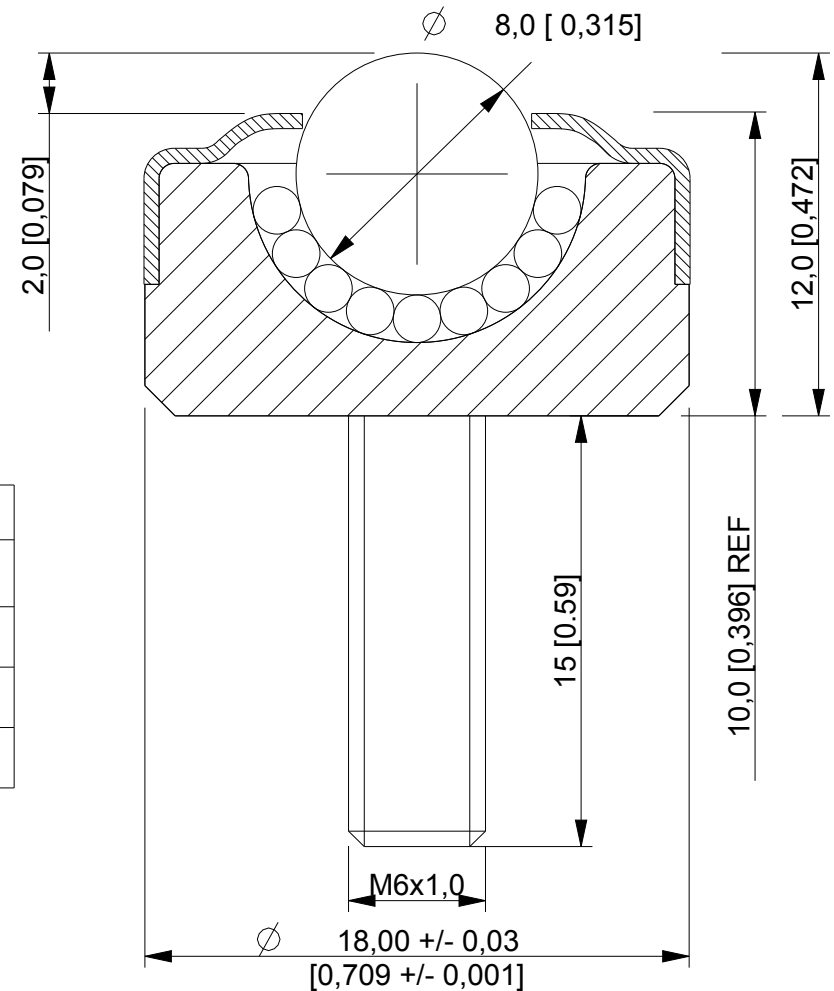




OMNI-DIRECTIONAL SOLUTIONS SINCE 1909

MSP8 OMNITRACK MEDIUM DUTY BALL TRANSFER UNIT

REVISION # 02



Available Material Options

Part #	Load bearing internal materials	Main Ball Material	Casing material & finish	Load Capacity
MSP8	AISI 52100	AISI 52100	AISI 1015 -Zinc plated	12 kg
MSP8A	AISI 420	AISI 420	AISI 1015 - Zinc plated	8 Kg
MSP8D	AISI 52100	Acetal (POM)	AISI 1015 - Zinc plated	3 Kg

ALL DIMENSIONS IN mm [inch]
IF VIEWED AS PDF, DO NOT SCALE
IF VIEWED AS DWG, SCALE 4 : 1
TOLERANCE $\pm 0,25$
QMF 31 ISSUE 01 : 22/06/2012

OMNITRACK
RODBOROUGH COURT
STROUD, GL5 3LR, ENGLAND

Telephone: +44 (0)1453 873 345
Fax: +44 (0)1453 878 500
[info @ omnitrack.com](mailto:info@omnitrack.com)
www.omnitrack.com

THIS DOCUMENT CONTAINS OMNITRACK PROPERTY AND CONFIDENTIAL INFORMATION. IT IS LOANED FOR LIMITED PURPOSES ONLY AND REMAINS THE PROPERTY OF OMNITRACK. IT MAY NOT BE REPRODUCED IN WHOLE OR PART OR DISCLOSED TO THIRD PARTIES WITHOUT THE PRIOR WRITTEN CONSENT OF OMNITRACK. THE DOCUMENT IS TO BE RETURNED TO OMNITRACK UPON REQUEST AND IN ALL EVENTS UPON COMPLETION OF THE USE FOR WHICH IT WAS LOANED