



OMNI-DIRECTIONAL SOLUTIONS SINCE 1909

**OF35-75 OMNIFLOAT  
GLASS HANDLING  
BALL CASTOR UNIT**  
REVISION # 01

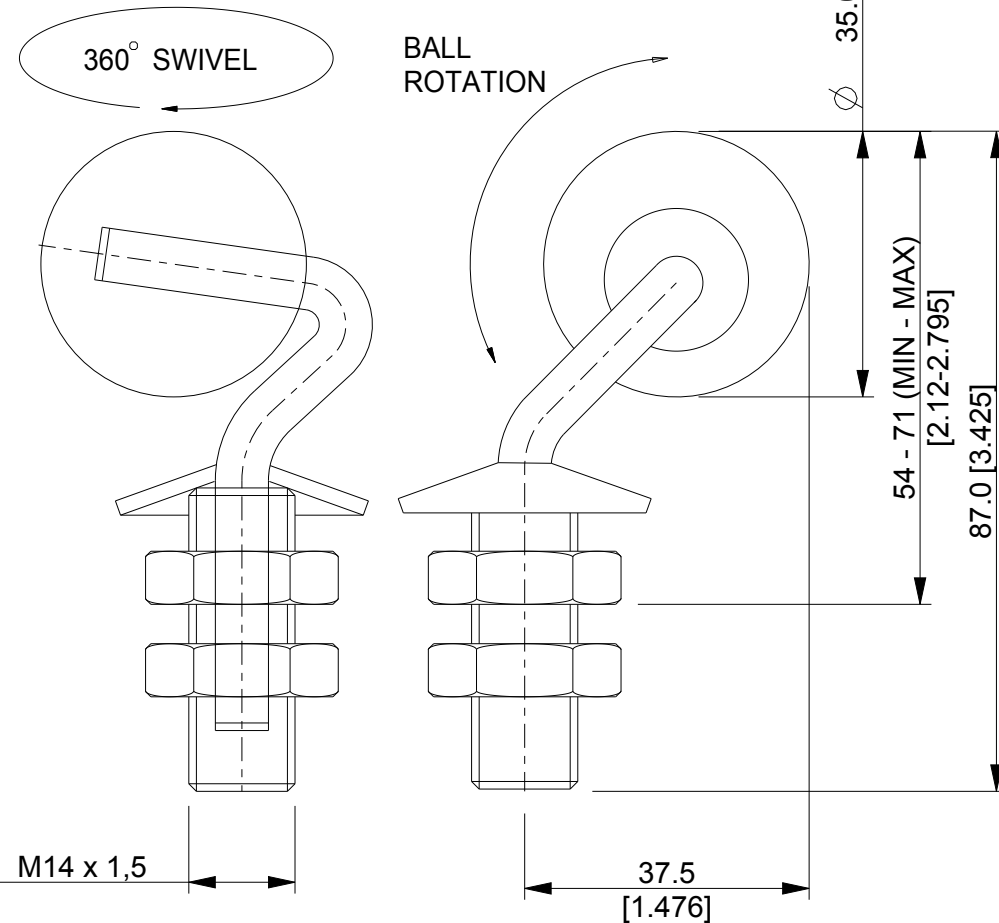
Available Material Options

Part #	Ball Material	Load Capacity
OF35-75R	Rubber Black 70 Shore 'A'	18 Kg / 39,7 Lbs
OF35-75P	Polyurethane Caramel 90 Shore 'A'	18 Kg / 39,7 Lbs
OF35-75HT	High Temperature Red - 80 Shore 'A'	18 Kg / 39,7 Lbs

ALL OMNIFLOAT UNITS HAVE EITHER A 'LEFT HAND'  
OR 'RIGHT HAND' BIAS - WE TYPICALLY RECOMMEND  
A 50:50 MIX OF BOTH TO PROVIDE A NEUTRAL  
CONVEYING PLANE

Replacement Balls Available

Part #	Ball Material
S35R	Rubber Black 70 Shore 'A'
S35P	Polyurethane Caramel 90 Shore 'A'
S35HT	High Temperature Red - 80 Shore 'A'



ALL DIMENSIONS IN mm [inch]  
IF VIEWED AS PDF, DO NOT SCALE  
IF VIEWED AS DWG, SCALE 1 : 1  
TOLERANCE ± 0,25  
QMF 31 ISSUE 01 : 22/06/2012

**OMNITRACK**  
RODBOROUGH COURT  
STROUD, GL5 3LR, ENGLAND

Telephone: +44 (0)1453 873 345  
Fax: +44 (0)1453 878 500  
[info @ omnitrack.com](mailto:info@omnitrack.com)  
[www.omnitrack.com](http://www.omnitrack.com)

THIS DOCUMENT CONTAINS OMNITRACK  
PROPERTY AND CONFIDENTIAL INFORMATION.  
IT IS LOANED FOR LIMITED PURPOSES ONLY  
AND REMAINS THE PROPERTY OF OMNITRACK.  
IT MAY NOT BE REPRODUCED IN WHOLE  
OR PART OR DISCLOSED TO THIRD PARTIES  
WITHOUT THE PRIOR WRITTEN CONSENT OF  
OMNITRACK. THE DOCUMENT IS TO BE  
RETURNED TO OMNITRACK UPON REQUEST  
AND IN ALL EVENTS UPON COMPLETION OF THE  
USE FOR WHICH IT WAS LOANED