



OMNI-DIRECTIONAL SOLUTIONS SINCE 1909

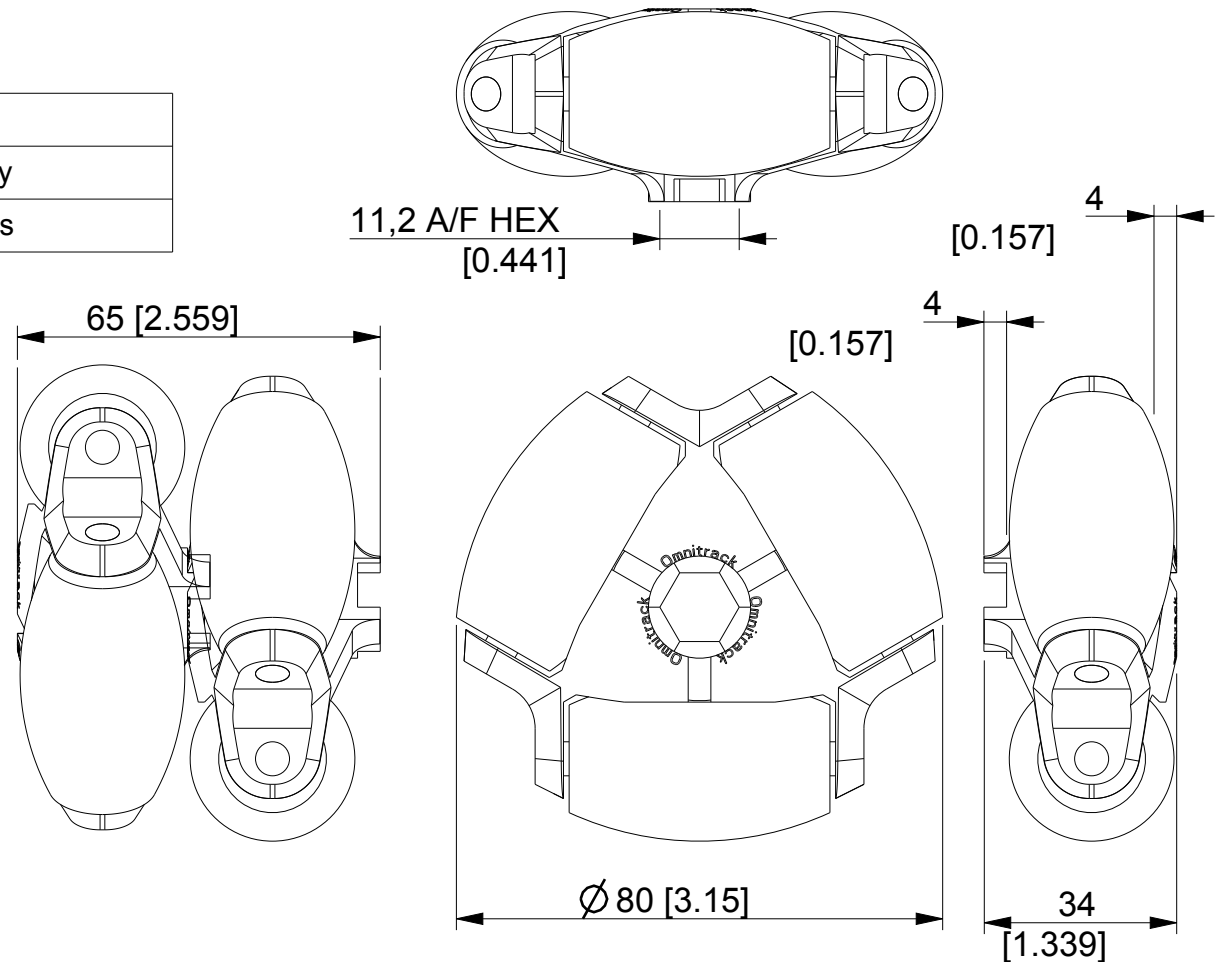
**OW80-H OMNIWHEEL  
CONVEYOR MODULE  
ROLLER WHEELS**

REVISION # 01

Available Material Options		
Part #	Roller Material	Load Capacity
OW80-H	Polyamide	25 Kg / 55 Lbs

LOCK OMNIWHEELS TOGETHER IN SERIES  
FOR 360° SUPPORT

POLYPROPYLENE SPACER TUBES AVAILABLE  
PRE-CUT TO REQUIRED LENGTHS - ALTERNATIVE  
MATERIALS AVAILABLE UPON REQUEST



ALL DIMENSIONS IN mm [inch]  
IF VIEWED AS PDF, DO NOT SCALE  
IF VIEWED AS DWG, SCALE 0,75 : 1  
TOLERANCE ± 0,25  
QMF 31 ISSUE 01 : 22/06/2012

**OMNITRACK**  
RODBOROUGH COURT  
STROUD, GL5 3LR, ENGLAND

Telephone: +44 (0)1453 873 345  
Fax: +44 (0)1453 878 500  
**info @ omnitrack.com**  
**www.omnitrack.com**

THIS DOCUMENT CONTAINS OMNITRACK  
PROPERTY AND CONFIDENTIAL INFORMATION.  
IT IS LOANED FOR LIMITED PURPOSES ONLY  
AND REMAINS THE PROPERTY OF OMNITRACK.  
IT MAY NOT BE REPRODUCED IN WHOLE  
OR PART OR DISCLOSED TO THIRD PARTIES  
WITHOUT THE PRIOR WRITTEN CONSENT OF  
OMNITRACK. THE DOCUMENT IS TO BE  
RETURNED TO OMNITRACK UPON REQUEST  
AND IN ALL EVENTS UPON COMPLETION OF THE  
USE FOR WHICH IT WAS LOANED