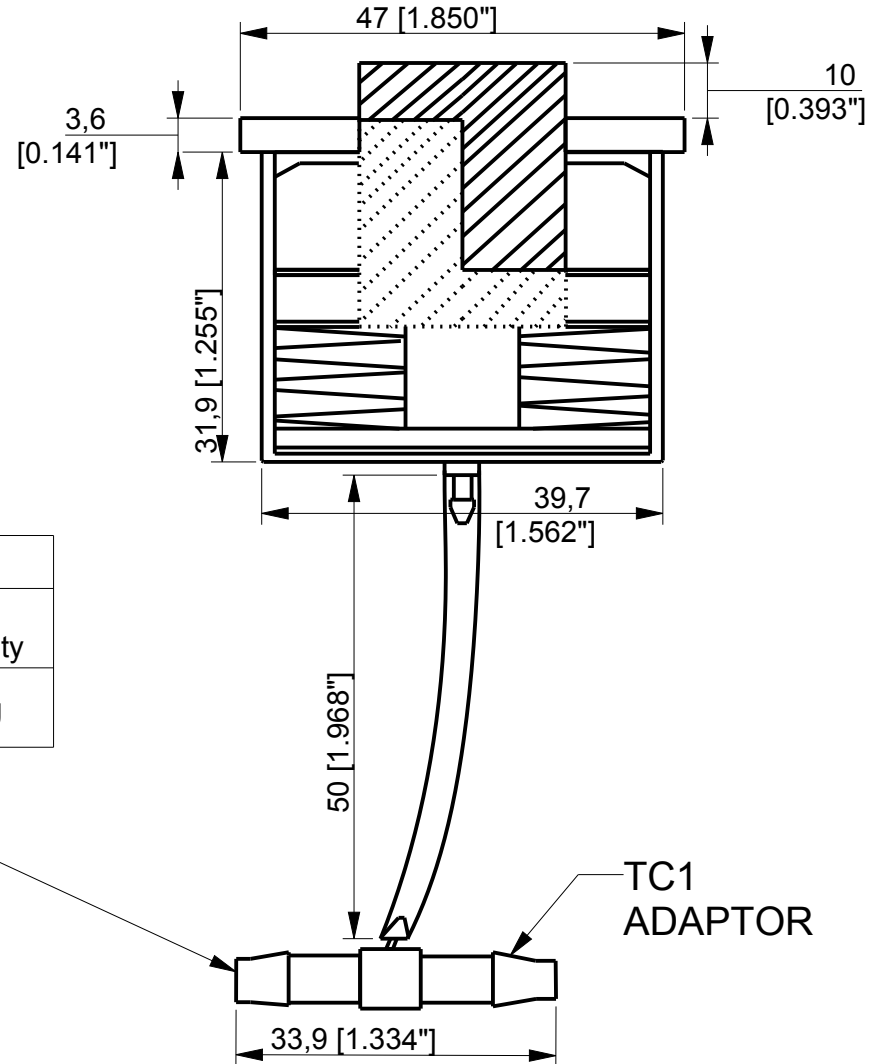
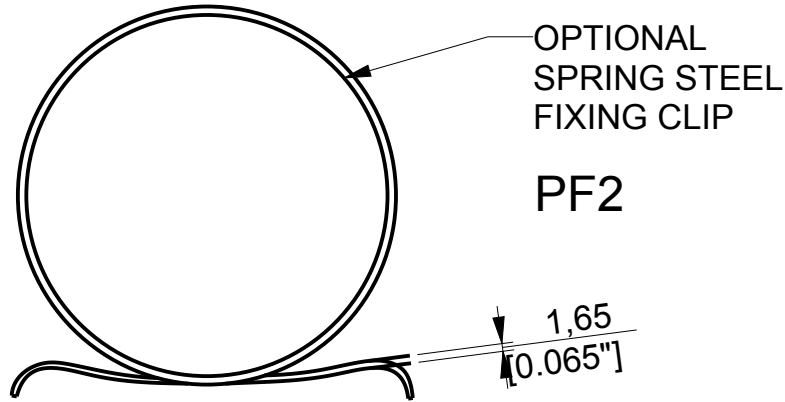


**PS25 PNEUMATIC
OMNITRACK
BALL TRANSFER UNIT**
REVISION # 01



Available Material Options				
Part #	Load Bearing Internal Materials	Pad Material	Casing Material & Finish	Load Capacity
PS25	AISI 52100	Polyurethane	AISI 1015 Zinc Plated	25 kg

LIFT CAPACITY 25kg / 50 lbs

3.4 BAR / 50 PSI

CONNECT TO
TP2 TUBING

4.57 I.D 6.73 O.D
[0.180 I.D 0.265" O.D]

TC1
ADAPTOR

ALL DIMENSIONS IN mm [inch]
IF VIEWED AS PDF, DO NOT SCALE
IF VIEWED AS DWG, SCALE x : x
TOLERANCE ± 0,25 [0,01]
QMF 31 ISSUE 02 : 09/01/2017

OMNITRACK
RODBOROUGH COURT
STROUD, GL5 3LR, ENGLAND

Telephone: +44 (0)1453 873 345
Fax: +44 (0)1453 878 500
[info @ omnitrack.com](mailto:info@omnitrack.com)
www.omnitrack.com

THIS DOCUMENT CONTAINS OMNITRACK PROPERTY AND CONFIDENTIAL INFORMATION. IT IS LOANED FOR LIMITED PURPOSES ONLY AND REMAINS THE PROPERTY OF OMNITRACK. IT MAY NOT BE REPRODUCED IN WHOLE OR PART OR DISCLOSED TO THIRD PARTIES WITHOUT THE PRIOR WRITTEN CONSENT OF OMNITRACK. THE DOCUMENT IS TO BE RETURNED TO OMNITRACK UPON REQUEST AND IN ALL EVENTS UPON COMPLETION OF THE USE FOR WHICH IT WAS LOANED.