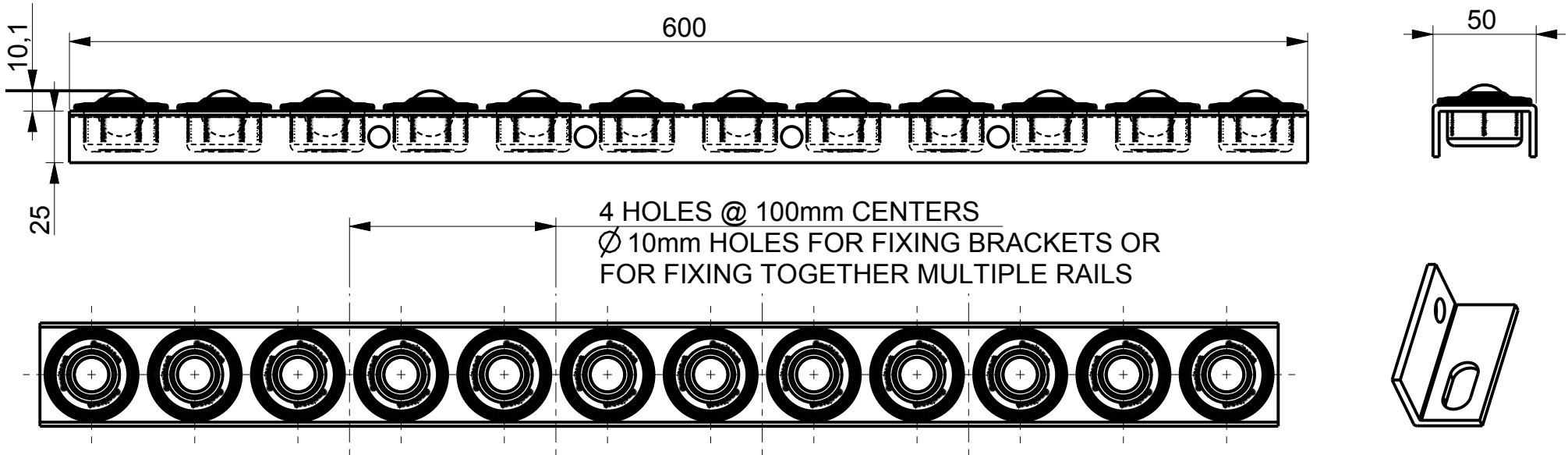
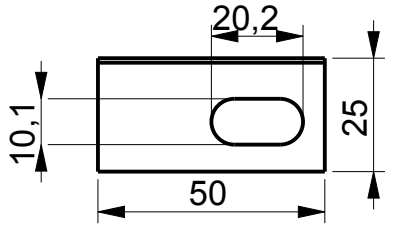


R22-600
OMNITRACK
BALL TRANSFER RAIL



| Material Options | | | |
|------------------|--------------------------------------|---------------|--------------------|
| Part Number | Bar Material | Ball Material | Load Rating |
| R22-600 | AISI 1012 Electrophoretic (Black) | AISI 52100 | 1920 kg / 4200 lbs |
| R22-600A | AISI 1012 Electrophoretic (Black) | AISI 420 | 1920 kg / 4200 lbs |
| R22-600D | AISI 1012 Electrophoretic (Black) | Acetal (POM) | 240 kg / 528 lbs |
| R22-600SS | AISI 304 - Natural | AISI 420 | 1080 kg / 2400 lbs |

FIXING BRACKET - RB1
OPTIONAL 50 x 25mm
BRACKET MADE FROM
3mm THICK ANGLE



REVISION # 01

ALL DIMENSIONS IN mm [inch]
IF VIEWED AS PDF, DO NOT SCALE
IF VIEWED AS DWG, SCALE x : x
TOLERANCE ± 0,25 [0.01]
QMF 31 ISSUE 02 : 09/01/2017

OMNITRACK
RODBOROUGH COURT
STROUD, GL5 3LR, ENGLAND

Telephone: +44 (0)1453 873 345
Fax: +44 (0)1453 878 500
info @ omnitrack.com
www.omnitrack.com

THIS DOCUMENT CONTAINS OMNITRACK
PROPERTY AND CONFIDENTIAL INFORMATION.
IT IS LOANED FOR LIMITED PURPOSES ONLY
AND REMAINS THE PROPERTY OF OMNITRACK.
IT MAY NOT BE REPRODUCED IN WHOLE
OR PART OR DISCLOSED TO THIRD PARTIES
WITHOUT THE PRIOR WRITTEN CONSENT OF
OMNITRACK. THE DOCUMENT IS TO BE
RETURNED TO OMNITRACK UPON REQUEST
AND IN ALL EVENTS UPON COMPLETION OF THE
USE FOR WHICH IT WAS LOANED